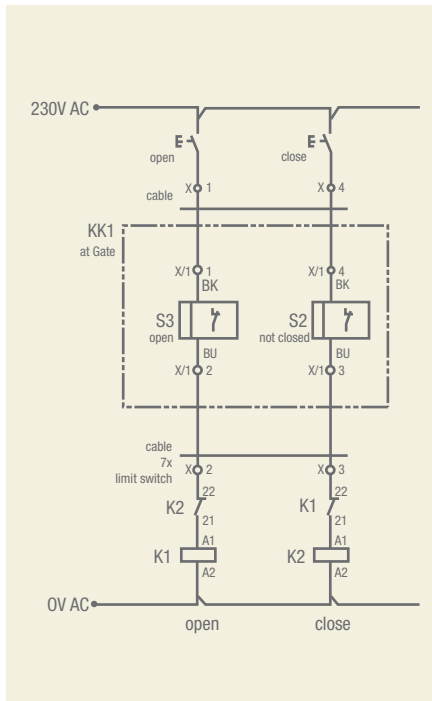




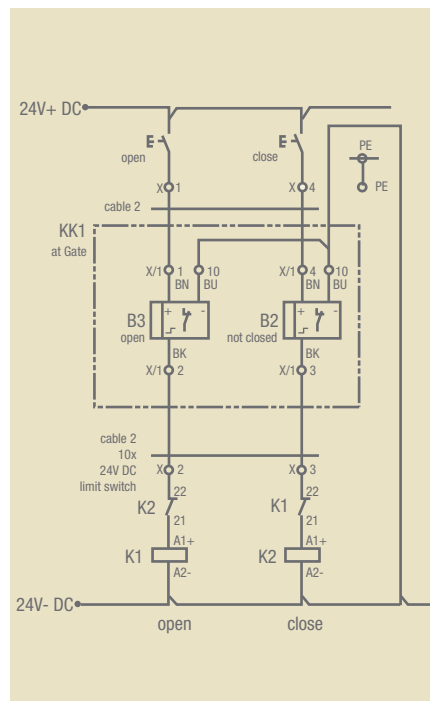
WÖHWA Waagenbau GmbH
Öhringer Str. 6 · 74629 Pfedelbach · GERMANY
Fon +49 7941 9131-0 · Fax +49 7941 9131-28
info@woehwa.com · www.woehwa.com



Propost connection limit switch 2-wire



Propost connection limit switch 3-wire



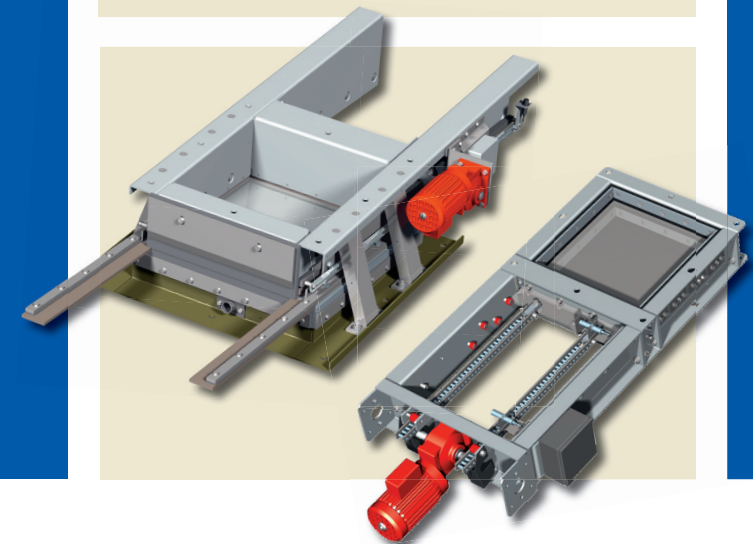
Subject to technical modifications E. & O. E.
October 2010

Installation instructions for

Installation and maintenance work is to be carried out by qualified personnel only.

WÖHWA cannot be held responsible for any damages caused by improper installation or maintenance work.

- discharging gate type 01.1.-0,55kW
- sealed hopper gate type 03.-0,55kW
- sealed hopper gate type 08.1.-0,55kW





Installation and maintenance work is to be carried out by qualified personnel only.

WÖHWA cannot be held responsible for any damages caused by improper installation or maintenance work.

Installation instructions for :

- discharging gate type 01.1.-0,55kW
- sealed hopper gate type 03.-0,55kW
- sealed hopper gate type 08.1.-0,55kW

Before starting work, disconnect the main load switch and observe all safety and accident prevention rules!

Check the power rating of the type plate of the motor to select the correct fuse / Circuit breaker.

Additional information listed:

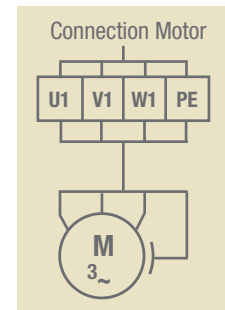
www.woehwa.com

→ products → discharging gates

Limit switches must be interlocked with the motor control to ensure correct operation of the discharge gate. Failure to comply will result in gate over travel and damage. The limit switches must be tested after connection. The position of the limit switch lug may have to be adjusted to meet on-site conditions.

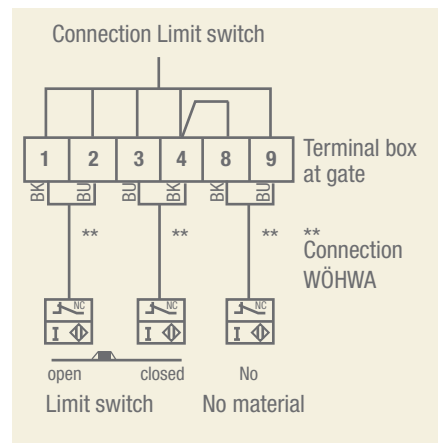
Electrical Connection is shown in terminal box cover.

Motor

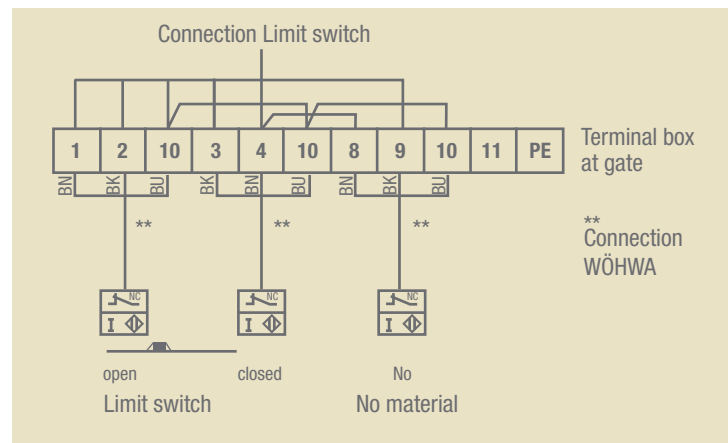


Technical data

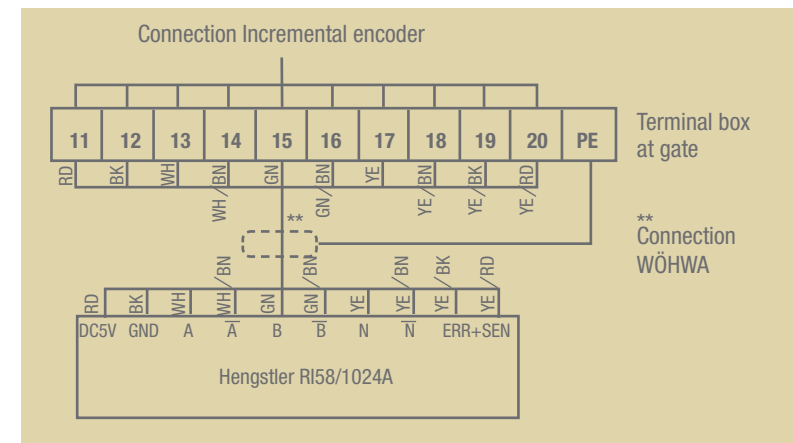
| Installation type M18x1, P67 II | 2-wire | | 3-wire | |
|---------------------------------|--------------------|-------------|--------------------|------------|
| | Switching function | AC, NC | Switching function | DC, NC |
| Supply Voltage | UB | 24...250VAC | UB | 10...32VDC |
| Rated operating distance | SN | 8mm | SN | 16mm |
| Safe operating distance | SA | 0...6,5mm | SA | 0...12,8mm |
| Operating current | IB | ≤ 200mA | IB | ≤ 200mA |
| Residual current | Ir | ≤ 2,0mA | Ir | ≤ 0,1mA |
| Momentary current | IK | 1 | Io | < 8mA |



Limit switch 2-wire



Limit switch 3-wire



Incremental encoder RI58-0/1000AS.41.RB